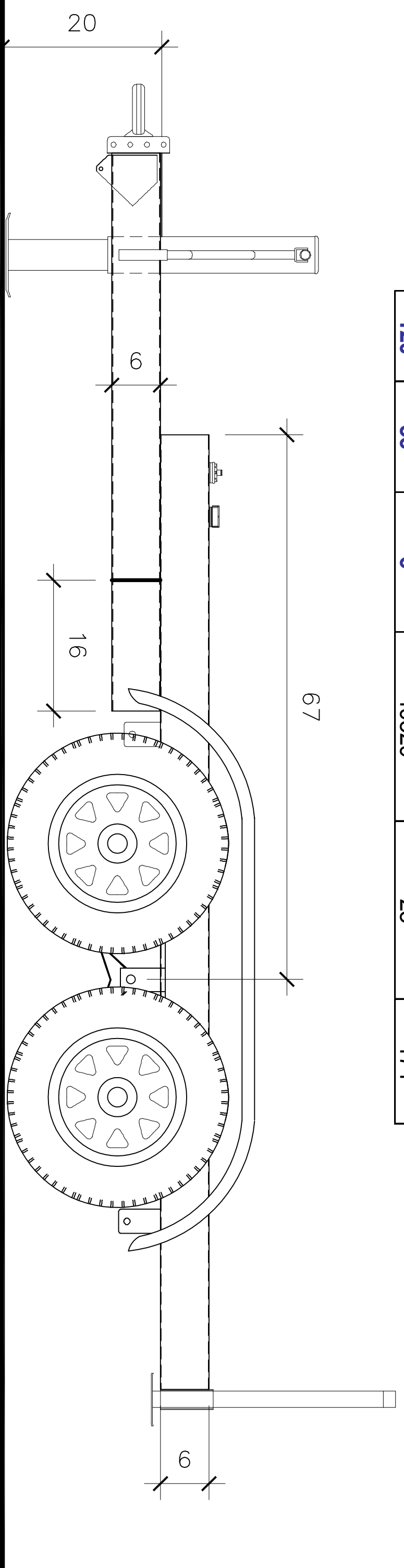


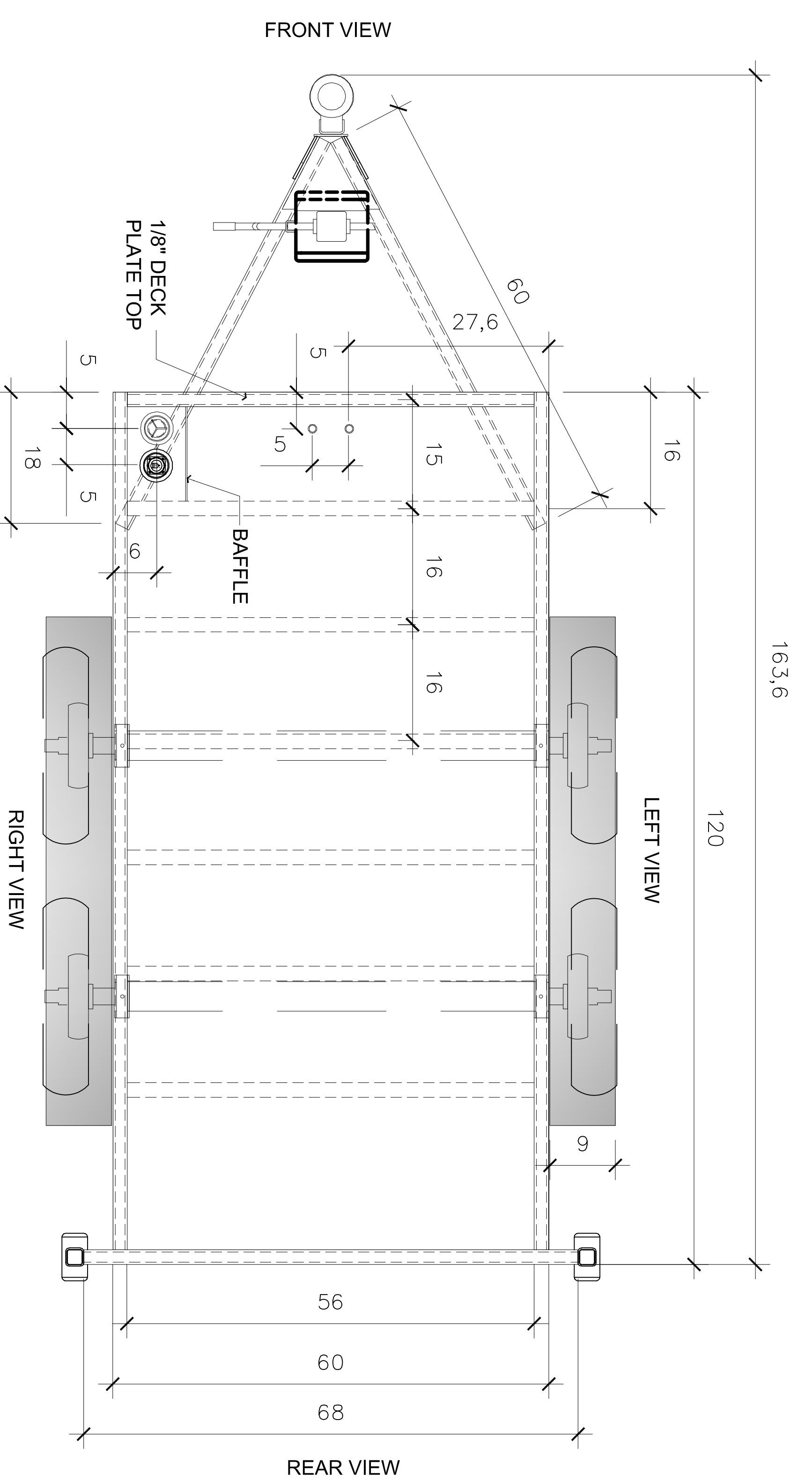
### TRAILER TANK CAPACITY

L	W	H	Cubic Inches	Cubic Feet	Gal
120	56	6	40320	23	174

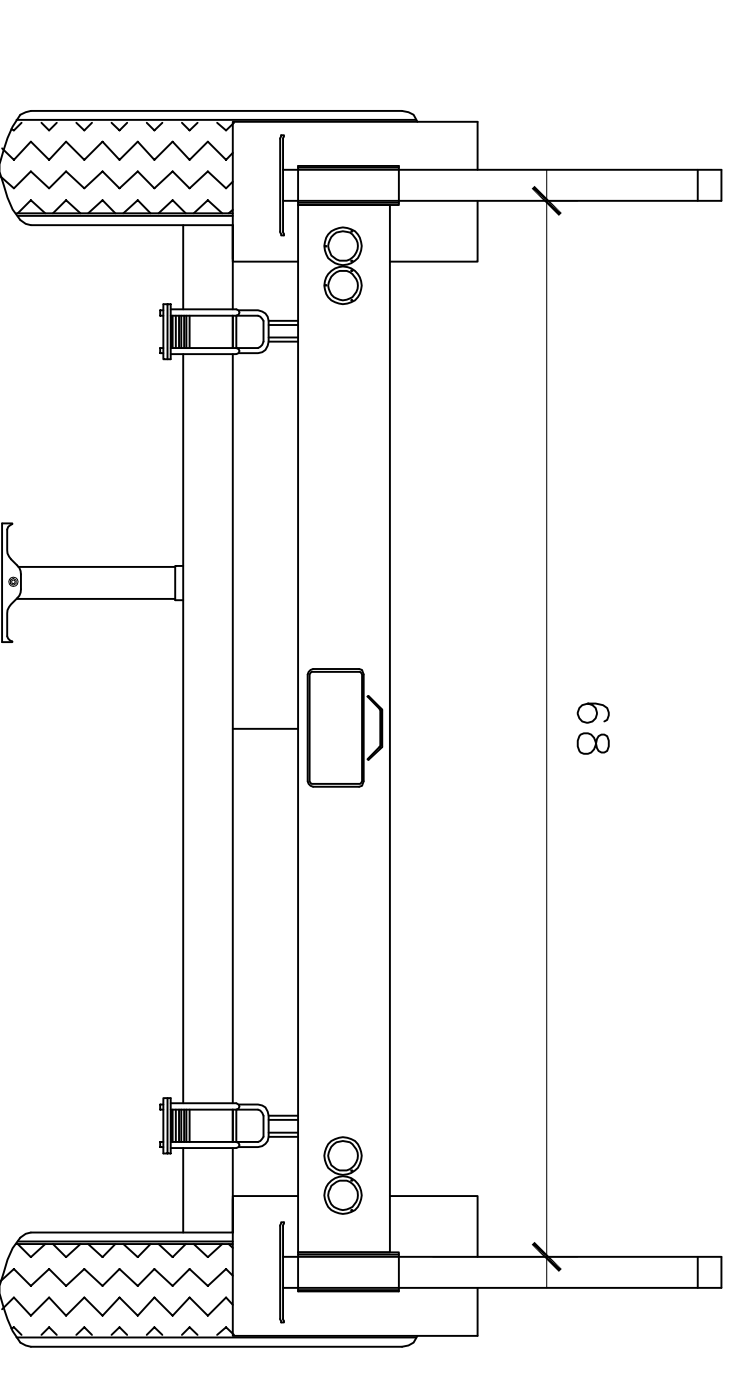


1 TRAILER RIGHT SIDE VIEW  
SCALE: 1"=1'-0"

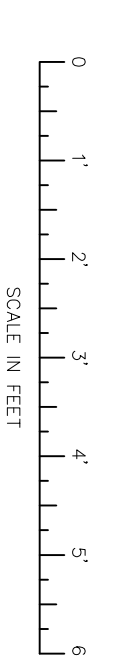
MATERIALS & TOOLS	
ITEM	MANUFACTURER
TRAILER LIGHTS KITS	Quality Trailers M540 1.0000
JACK A PIPE	Quality Trailers Dualpin-SL 2.0000
SAFATY CHAIN	Quality Trailers SC113254 1.0000
7 WAY PLUG	Quality Trailers 5067003.0000 1.0000
J BOX	Quality Trailers 5010170.0000 1.0000
BRAKE AWAY KIT	Quality Trailers TAP947 2.0000
DRAW BAR PLATE	Quality Trailers DB1385 1.0000
DRAW BAR 35,000 LB	Quality Trailers DB1250-15 2.0000
AXELS 6000 LB WITH SPRINGS+UBOLTS+HANGERS+BRAKES	Quality Trailers N/A 1.0000
AXELS 6000 LB WITH SPRINGS WITHOUT BRAKES	Quality Trailers N/A 2.0000
TIRES WITH RIMS 6 HOLES	Quality Trailers 23516ER655SW 6.0000



2 TRAILER UPPER VIEW  
SCALE: 1"=1'-0"



3 TRAILER REAR VIEW  
SCALE: 1"=1'-0"



CUSTOMER:		THIRDS ANGLE PROJECTION
REFERENCE:	(1) ONE	REVISION
UNITS REQD:		
DLC ENGINEERING SERV. INC. CLAIMS PROPRIETARY RIGHT IN THE MATERIAL DISCLOSED HEREON. THIS DRAWING IS ISSUED FOR SALES INFORMATION ONLY AND MAY NOT BE REPRODUCED OR USED TO MANUFACTURE ANYTHING SHOWN HEREON WITHOUT PERMISSION FROM DLC ENGINEERING SERV. INC. TO THE USER.		
DLC Engineering Serv. Inc.	3164 West 81 Street Hialeah, Florida, 33018	DATE 01/28/2010

### COMMANDER GENERATOR TRAILERS

DRW. Lione	JOB SERIAL NO.
CHK. Hoodo Jr.	
APP.	
APP.	