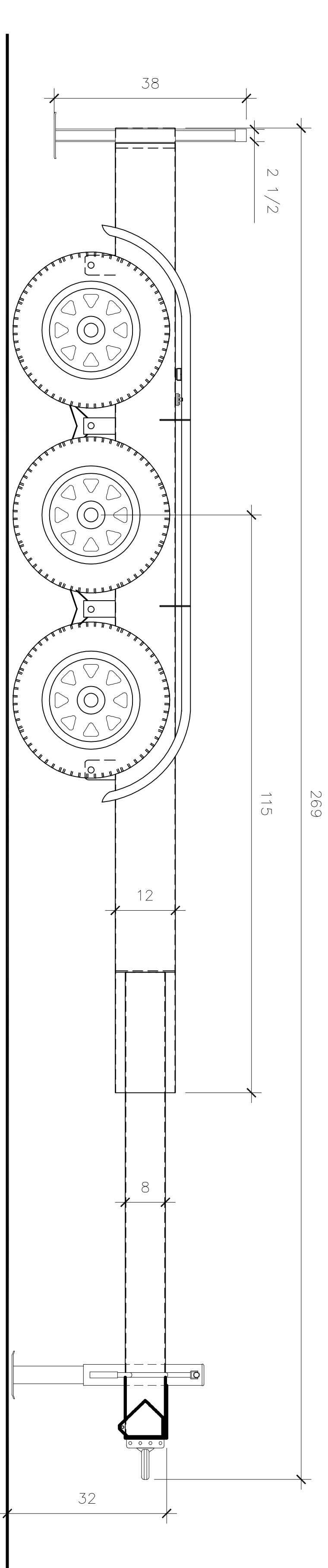
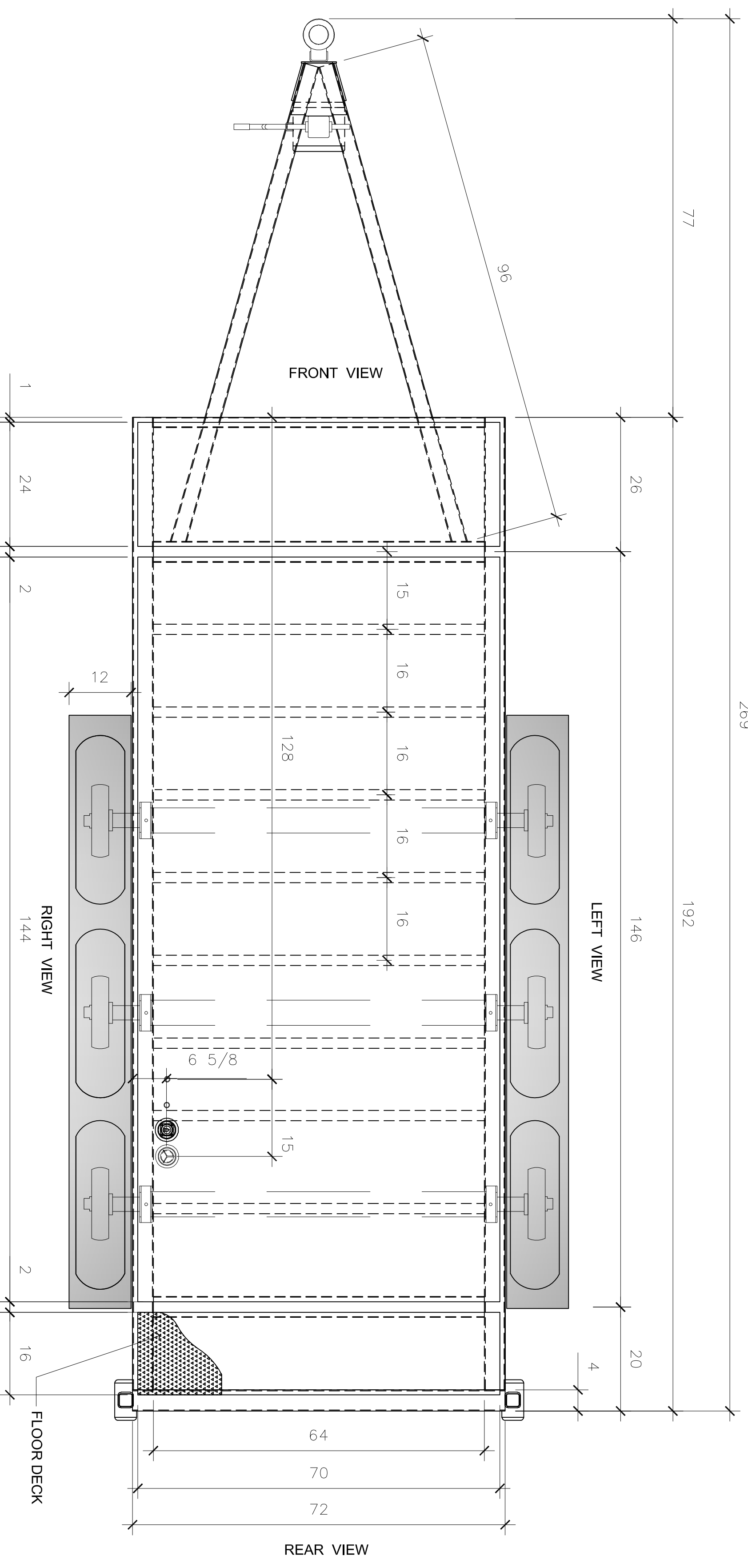


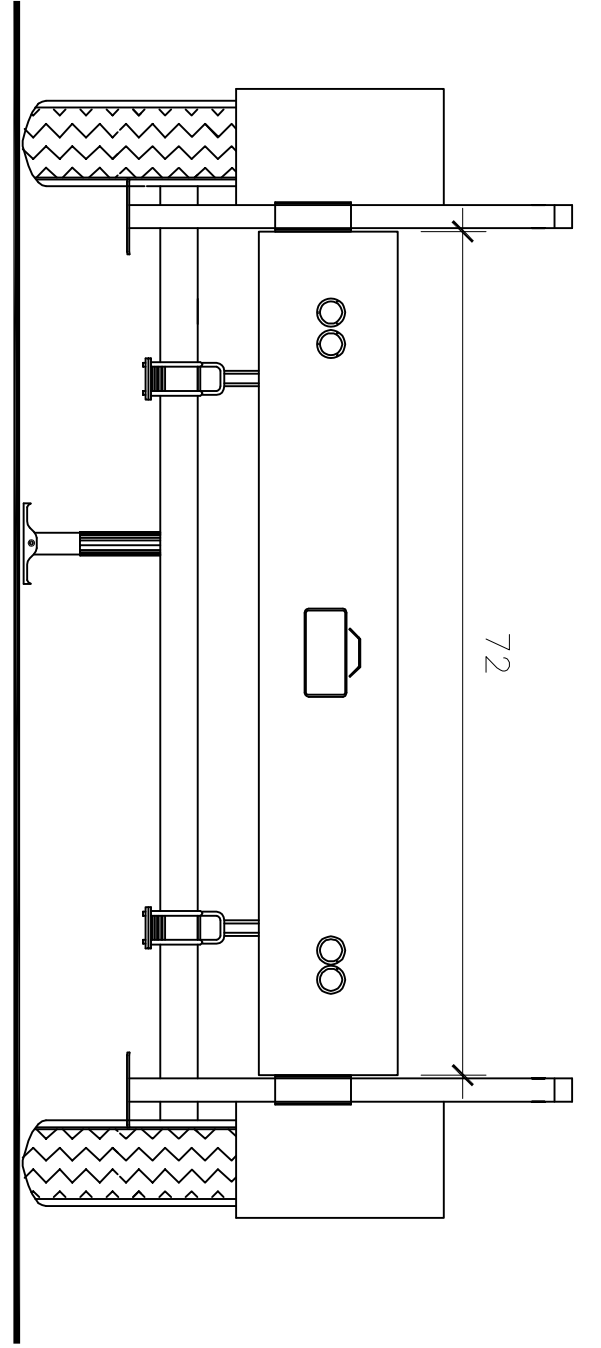
1 TRAILER RIGHT SIDE VIEW
SCALE: 3/4"=1'-0"



3 TRAILER LEFT SIDE VIEW
SCALE: 3/4"=1'-0"



3 TRAILER UPPER VIEW
SCALE: 3/4"=1'-0"



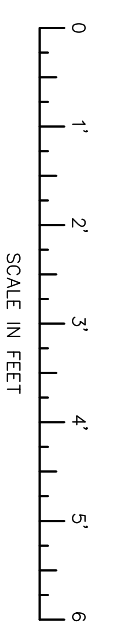
3 TRAILER REAR VIEW
SCALE: 3/4"=1'-0"

ITEM		MANUFACTURER	
TRAILER LIGHTS KITS	Quality Trailers	M540	1,0000
JACK A PIPE	Quality Trailers	Dualpin-SL	2,0000
SAFETY CHAIN	Quality Trailers	SC113254	1,0000
7 WAY PLUG	Quality Trailers	5067003,0000	1,0000
J BOX	Quality Trailers	5010170,0000	1,0000
BRAKE AWAY KIT	Quality Trailers	TAP947	2,0000
DRAW BAR PLATE	Quality Trailers	DB1385	1,0000
DRAW BAR 35,000 LB	Quality Trailers	DB1250-15	2,0000
AXELS 6000 LB WITH SPRINGS+UBOLTS+HANGERS+BRAKES	Quality Trailers	N/A	1,0000
AXELS 6000 LB WITH SPRINGS WITHOUT BRAKES	Quality Trailers	N/A	2,0000
TIRES WITH RIMS 6 HOLES	Quality Trailers	23516ER655SW	6,0000

L	W	H	Cubic inches	Cubic Feet	Gal
146	64	12	112128	65	485

TYPICAL
THIS DRAWING IS MEANT TO BE REPRESENTATIVE OF A TYPE ONLY, AND NOT FOR ACCURATE DIMENSIONS OR DETAILS

DRAWING FOR INFORMATION ONLY,
NOT FOR CONSTRUCTION PURPOSES



CUSTOMER:

REFERENCE:

UNITS REQD: (1) ONE

REFERENCE: DLC ENGINEERING SERV. INC. CLAIMS PROPRIETARY RIGHT IN THE MATERIAL DISCLOSED HEREON. THIS DRAWING IS ISSUED FOR SALES INFORMATION ONLY AND MAY NOT BE REPRODUCED OR USED TO MANUFACTURE ANYTHING SHOWN HEREON WITHOUT PERMISSION FROM DLC ENGINEERING SERV. INC. TO THE USER.

DLC Engineering Serv. Inc.
3164 West 81 Street
Hialeah, Florida, 33018
DATE: 01/28/2010

CONQUEST GENERATOR TRAILER

DRW. Lione	JOB SERIAL NO.
CHK. Hoodco Jf.	
APP.	
APP.	
SCALE:	
SHEET 1	OF 1