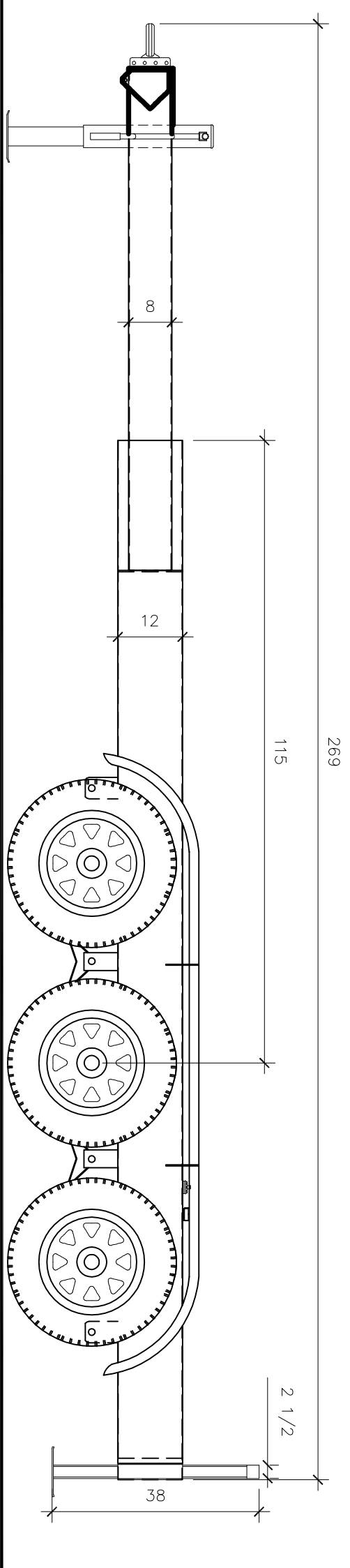
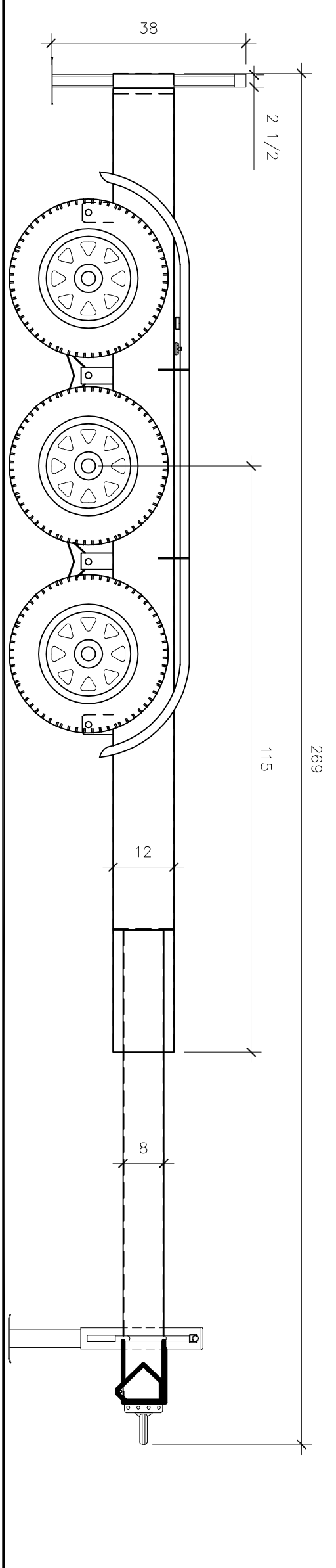


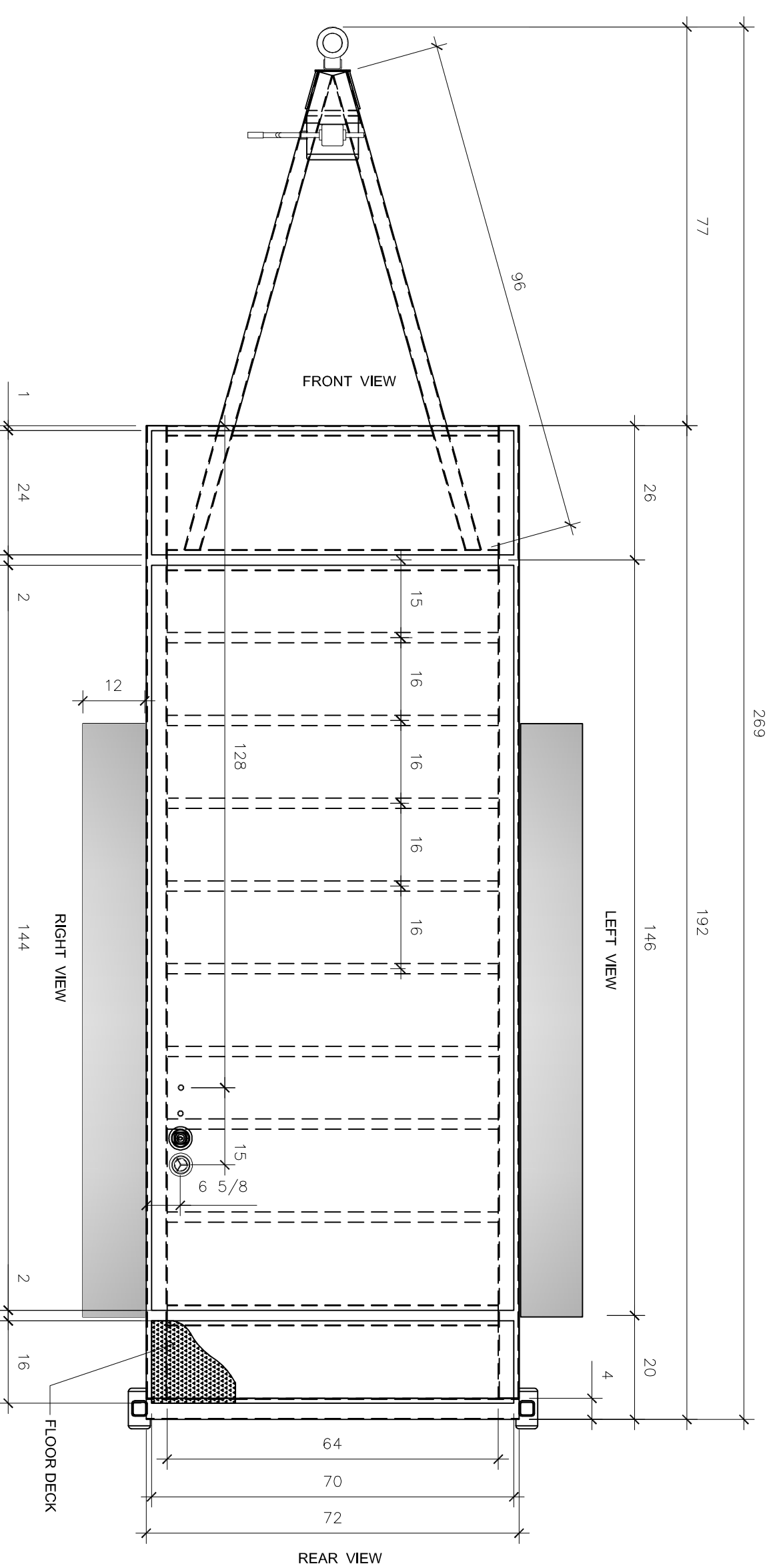
L	W	H	Cubic Inches	Cubic Feet	Gal
148	84	12	112128	65	489



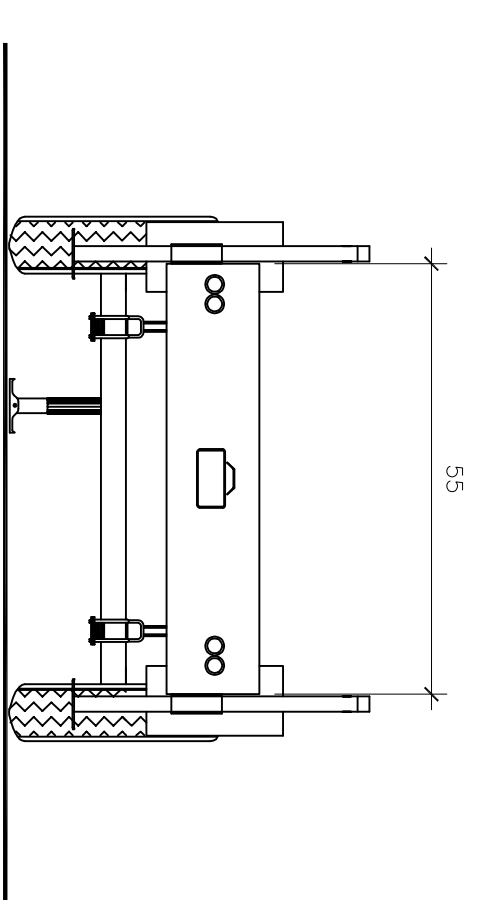
1 TRAILER RIGHT SIDE VIEW
SCALE: 1"=1'-0"



3 TRAILER LEFT SIDE VIEW
SCALE: 1"=1'-0"



3 TRAILER UPPER VIEW
SCALE: 1"=1'-0"

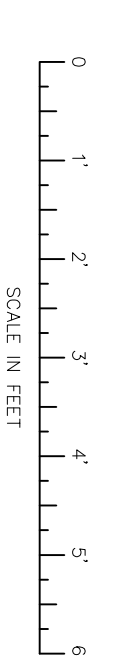


3 TRAILER REAR VIEW
SCALE: 1"=1'-0"

MATERIALS & TOOLS					
ITEM	MANUFACTURER				
TRAILER LIGHTS KITS	Quality Trailers	M540			1.0000
JACK A PIPE	Quality Trailers	Dualpin-SL			2.0000
SAFETY CHAIN	Quality Trailers	SC113254			1.0000
7 WAY PLUG	Quality Trailers	5067003.0000			1.0000
J BOX	Quality Trailers	5010170.0000			1.0000
BRAKE AWAY KIT	Quality Trailers	TAP947			2.0000
DRAW BAR PLATE	Quality Trailers	DB1385			1.0000
DRAW BAR 35,000 LB	Quality Trailers	DB1250-15			2.0000
AXELS 6000 LB WITH SPRINGS+HANGERS+BRAKES	Quality Trailers	N/A			1.0000
AXELS 6000 LB WITH SPRINGS WITHOUT BRAKES	Quality Trailers	N/A			2.0000
TIRES WITH RIMS 6 HOLES	Quality Trailers	23516ER655SW			6.0000

TYPICAL
THIS DRAWING IS MEANT TO BE REPRESENTATIVE OF A TYPE ONLY, AND NOT FOR ACCURATE DIMENSIONS OR DETAILS

DRAWING FOR INFORMATION ONLY,
NOT FOR CONSTRUCTION PURPOSES



CUSTOMER:		THIRD ANGLE PROJECTION
REFERENCE:		REVISION
UNITS REQD:	(1) ONE	
DLC ENGINEERING SERV. INC. CLAIMS PROPRIETARY RIGHT IN THE MATERIAL DISCLOSED HEREON. THIS DRAWING IS ISSUED FOR SALES INFORMATION ONLY AND MAY NOT BE REPRODUCED OR USED TO MANUFACTURE ANYTHING SHOWN HEREON WITHOUT PERMISSION FROM DLC ENGINEERING SERV. INC. TO THE USER.		
DLC Engineering Serv. Inc.	3164 West 81 Street Hialeah, Florida, 33018	DATE 01/28/2010
DRW. Lione	JOB SERIAL NO.	
CHK. Hoodco Jr.		
APP.		
APP.	SCALE:	SHEET 1 OF 1

2	1	WWW.DLCPWERSSEL.COM
---	---	---------------------